

Air Powered Series

216A - NE32, S50 w/control filter

42121621

---

**Original model specification and spare parts**

EN MODEL SPECIFICATION AND SPARE PARTS



# Table of contents

1 Model Specification .....	4
2 Spare Parts .....	5

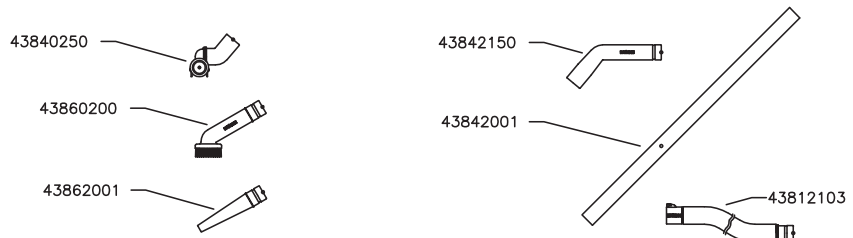
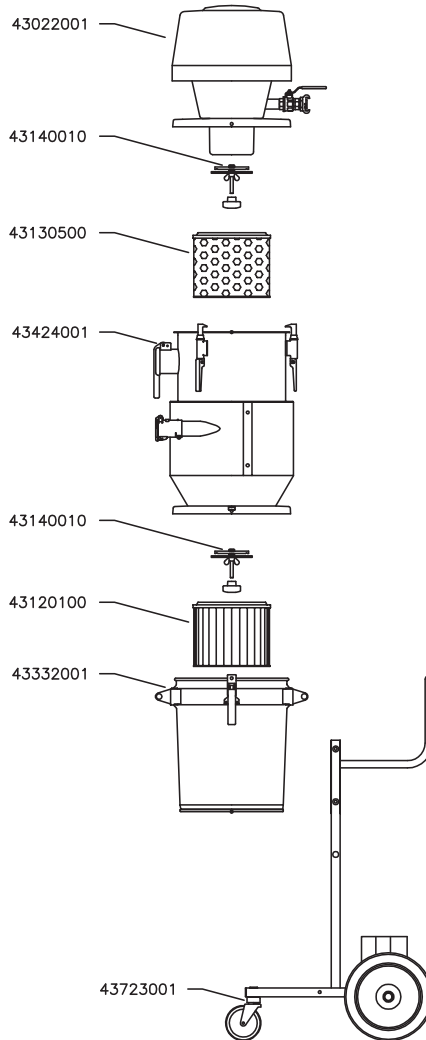
## 1 Model Specification

**Description:** 216A - NE32, S50 w/control filter

**Model:** 42121621

Code No.	Description	Qty.
43022001	NE32, S50	1
43120100	Cartridge filter L=220 A=2.38m <sup>2</sup> wo/perf.plate	1
43130500	Absolute filter L=220 A=1.56m <sup>2</sup> w/perf.plate w/perf.plate	1
43140010	Clamp f/cartr.filter M10 L=90 El-Zn	2
43332001	Container S50 47l w/ecc fasteners	1
43424001	Silo S50 w/rev air clean	1
43723001	Trolley S50 f/silo	1
43840250	Floor suct head d51/400/65	1
43860200	Brush nozzle d51 soft	1
43862001	Conical nozzle d51	1
43842001	Suction pipe d51 PEHD-el L-1140 mm	1
43842150	Pipe bend d51 antistatic	1
43812103	Suction hose PE d51 L=6m antistatic w/male-female connect	1

## 2 Spare Parts



---

**42121621**

---

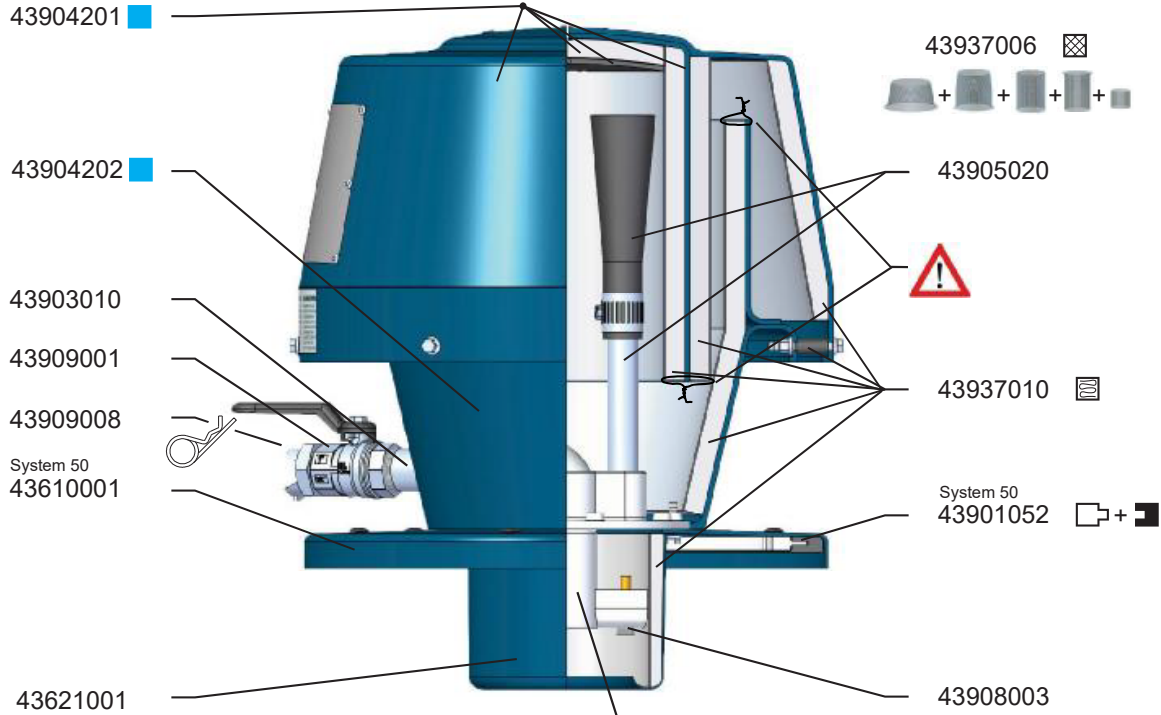
# 216A - NE32, S50 w/control filter



MAX 8 bar



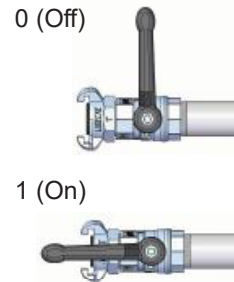
S235JR(St37.2)



	Vacuum producer	Compressed air consumption Nm <sup>3</sup> /min	Max. vacuum		Max. air flow Nm <sup>3</sup> /hr	Noise level* dB(A)	Ejector body
			mmWC	-kPa			
<input type="checkbox"/>	NE22	1,0	2100	21	306	72,0	43905001
<input checked="" type="checkbox"/>	NE32	1,6	3100	31	342	74,0	43905002
<input type="checkbox"/>	NE42	2,2	4200	42	360	73,5	43905003
<input type="checkbox"/>	NE52	3,0	5200	52	342	75,5	43905004
<input type="checkbox"/>	NE56	2,7	2500	25	564	73,5	43905005
<input type="checkbox"/>	NE64	4,3	6800	68	330	77,0	43905006
<input type="checkbox"/>	NE66	4,1	3800	38	630	76,5	43905007
<input type="checkbox"/>	NE74	5,3	7800	78	318	75,0	43905008
<input type="checkbox"/>	NE76	5,4	4800	48	690	78,0	43905009
<input type="checkbox"/>	NE96	8,6	6800	68	660	78,0	43905011
<input type="checkbox"/>	NE56x2	5,4	2500	25	1128	76,5	43905005
<input type="checkbox"/>	NE96x2	17,2	6800	68	1320	79,0	43905011

\*Noise level - distance: 3 m - height: 1,1 m

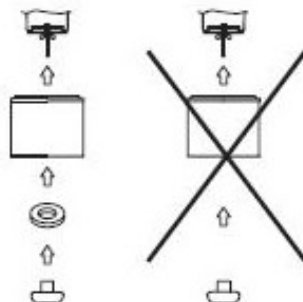
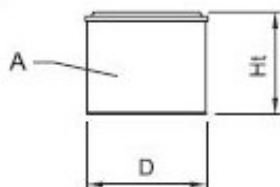
(Air pressure 7 bar)



**43022001**



1



2



3



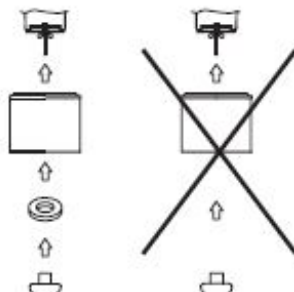
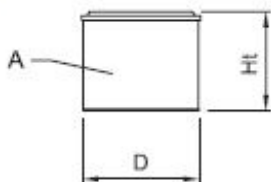
	Product number:	Area m <sup>2</sup>	Max. temp. °C	Diameter mm	Height mm	Weight kg	BIA	EN 60335-2-69	Antistatic	Washable	*End plate
<input type="checkbox"/>	43110001	0,5	70	-	-	0,6	-	-	-	-	-
<input type="checkbox"/>	43110100	0,4	120	-	-	0,2	-	-	-	-	-
<input type="checkbox"/>	43110200	0,4	120	-	-	0,2	-	-	x	-	-
<input type="checkbox"/>	43110300	0,6	120	-	-	0,4	-	-	-	-	-
<input type="checkbox"/>	43110400	0,6	120	-	-	0,4	-	-	x	-	-
<input checked="" type="checkbox"/>	43120100	2,4	70	264	220	1,0	U,S,G,C	M	-	-	-
<input type="checkbox"/>	43130001	2,4	70	264	220	2,0	U,S,G,C	M	-	-	-
<input type="checkbox"/>	43130100	2,4	70	264	220	1,0	U,S,G,C	M	-	-	-
<input type="checkbox"/>	43130200	5,4	70	264	470	2,0	U,S,G,C	M	-	-	-
<input type="checkbox"/>	43130201	5,4	70	264	470	3,0	U,S,G,C	M	-	-	-
<input type="checkbox"/>	43130300	6,9	70	264	600	3,0	U,S,G,C	M	-	-	-
<input type="checkbox"/>	43130301	6,9	70	264	600	4,0	U,S,G,C	M	-	-	-
<input type="checkbox"/>	43130400	10,0	70	264	870	5,0	U,S,G,C	M	-	-	-
<input type="checkbox"/>	43130401	10,0	70	264	870	5,0	U,S,G,C	M	-	-	-
<input type="checkbox"/>	43130500	1,6	70	264	220	2,0	K1/K2	H	-	-	-
<input type="checkbox"/>	43120200	1,6	70	264	220	2,0	K1/K2	H	-	-	-
<input type="checkbox"/>	43130700	3,5	70	264	470	3,0	K1/K2	H	-	-	-
<input type="checkbox"/>	43130702	3,5	70	264	470	4,0	K1/K2	H	-	-	-
<input type="checkbox"/>	43130800	4,5	70	264	600	3,0	K1/K2	H	-	-	-
<input type="checkbox"/>	43130801	4,5	70	264	600	3,0	K1/K2	H	-	-	-
<input type="checkbox"/>	43130900	6,5	70	264	870	4,0	K1/K2	H	-	-	-
<input type="checkbox"/>	43130901	6,5	70	264	870	6,0	K1/K2	H	-	-	-
<input type="checkbox"/>	43120300	2,4	120	264	220	2,0	U,S,G,C	M	-	x	-
<input type="checkbox"/>	43120301	2,4	120	264	220	2,0	U,S,G,C	M	x	x	GS
<input type="checkbox"/>	43120303	10,0	120	264	87	2,0	U,S,G,C	M	x	x	-
<input type="checkbox"/>	43120304	2,4	120	264	220	2,0	U,S,G,C	M	x	x	A4
<input type="checkbox"/>	43120400	0,7	80	338	42	0,8	U,S,G,C	M	-	-	-

\* A2 = AISI 304 / A4 = AISI 316L / GS = Galvanized steel

**43120100**



1



2



3



	Product number:	Area m <sup>2</sup>	Max. temp. °C	Diameter mm	Height mm	Weight kg	BIA	EN 60335-2-69	Antistatic	Washable	*End plate
<input type="checkbox"/>	43110001	0,5	70	-	-	0,6	-	-	-	-	-
<input type="checkbox"/>	43110100	0,4	120	-	-	0,2	-	-	-	-	-
<input type="checkbox"/>	43110200	0,4	120	-	-	0,2	-	-	x	-	-
<input type="checkbox"/>	43110300	0,6	120	-	-	0,4	-	-	-	-	-
<input type="checkbox"/>	43110400	0,6	120	-	-	0,4	-	-	x	-	-
<input type="checkbox"/>	43120100	2,4	70	264	220	1,0	U,S,G,C	M	-	-	-
<input type="checkbox"/>	43130001	2,4	70	264	220	2,0	U,S,G,C	M	-	-	-
<input type="checkbox"/>	43130100	2,4	70	264	220	1,0	U,S,G,C	M	-	-	-
<input type="checkbox"/>	43130200	5,4	70	264	470	2,0	U,S,G,C	M	-	-	-
<input type="checkbox"/>	43130201	5,4	70	264	470	3,0	U,S,G,C	M	-	-	-
<input type="checkbox"/>	43130300	6,9	70	264	600	3,0	U,S,G,C	M	-	-	-
<input type="checkbox"/>	43130301	6,9	70	264	600	4,0	U,S,G,C	M	-	-	-
<input type="checkbox"/>	43130400	10,0	70	264	870	5,0	U,S,G,C	M	-	-	-
<input type="checkbox"/>	43130401	10,0	70	264	870	5,0	U,S,G,C	M	-	-	-
<input checked="" type="checkbox"/>	43130500	1,6	70	264	220	2,0	K1/K2	H	-	-	-
<input type="checkbox"/>	43120200	1,6	70	264	220	2,0	K1/K2	H	-	-	-
<input type="checkbox"/>	43130700	3,5	70	264	470	3,0	K1/K2	H	-	-	-
<input type="checkbox"/>	43130702	3,5	70	264	470	4,0	K1/K2	H	-	-	-
<input type="checkbox"/>	43130800	4,5	70	264	600	3,0	K1/K2	H	-	-	-
<input type="checkbox"/>	43130801	4,5	70	264	600	3,0	K1/K2	H	-	-	-
<input type="checkbox"/>	43130900	6,5	70	264	870	4,0	K1/K2	H	-	-	-
<input type="checkbox"/>	43130901	6,5	70	264	870	6,0	K1/K2	H	-	-	-
<input type="checkbox"/>	43120300	2,4	120	264	220	2,0	U,S,G,C	M	-	x	-
<input type="checkbox"/>	43120301	2,4	120	264	220	2,0	U,S,G,C	M	x	x	GS
<input type="checkbox"/>	43120303	10,0	120	264	87	2,0	U,S,G,C	M	x	x	-
<input type="checkbox"/>	43120304	2,4	120	264	220	2,0	U,S,G,C	M	x	x	A4
<input type="checkbox"/>	43120400	0,7	80	338	42	0,8	U,S,G,C	M	-	-	-

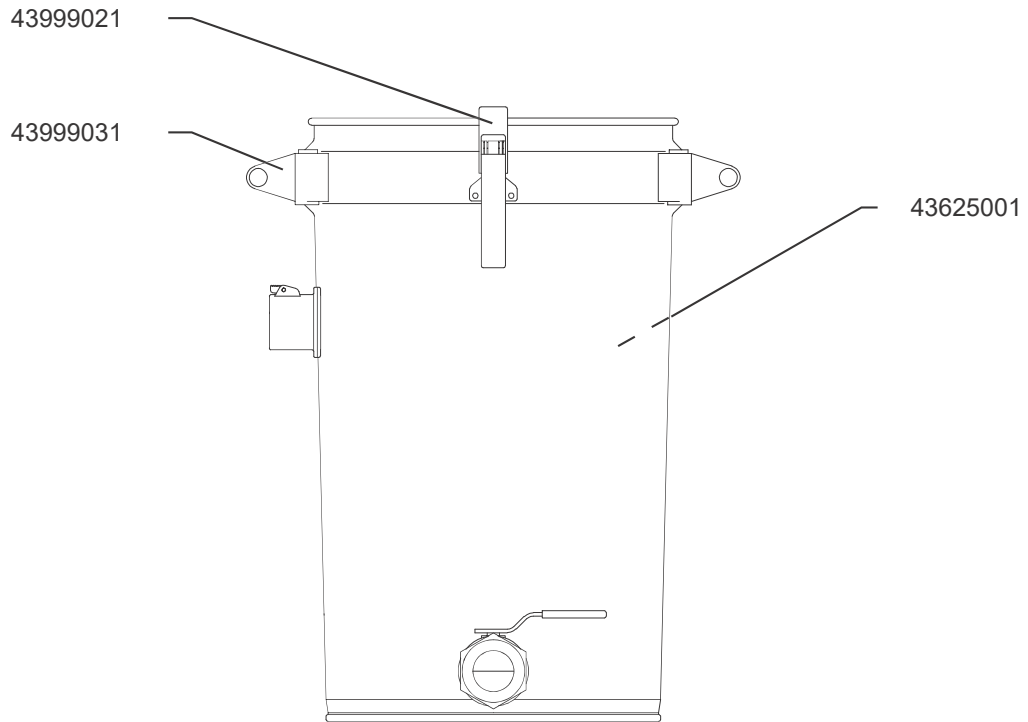
\* A2 = AISI 304 / A4 = AISI 316L / GS = Galvanized steel

**43130500**





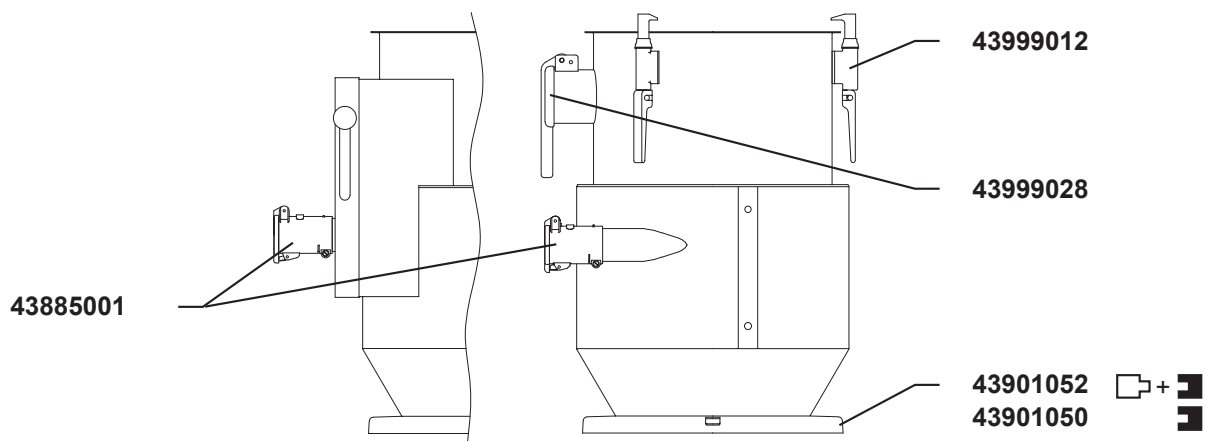
S235JR(St37.2)



---

**43332001**

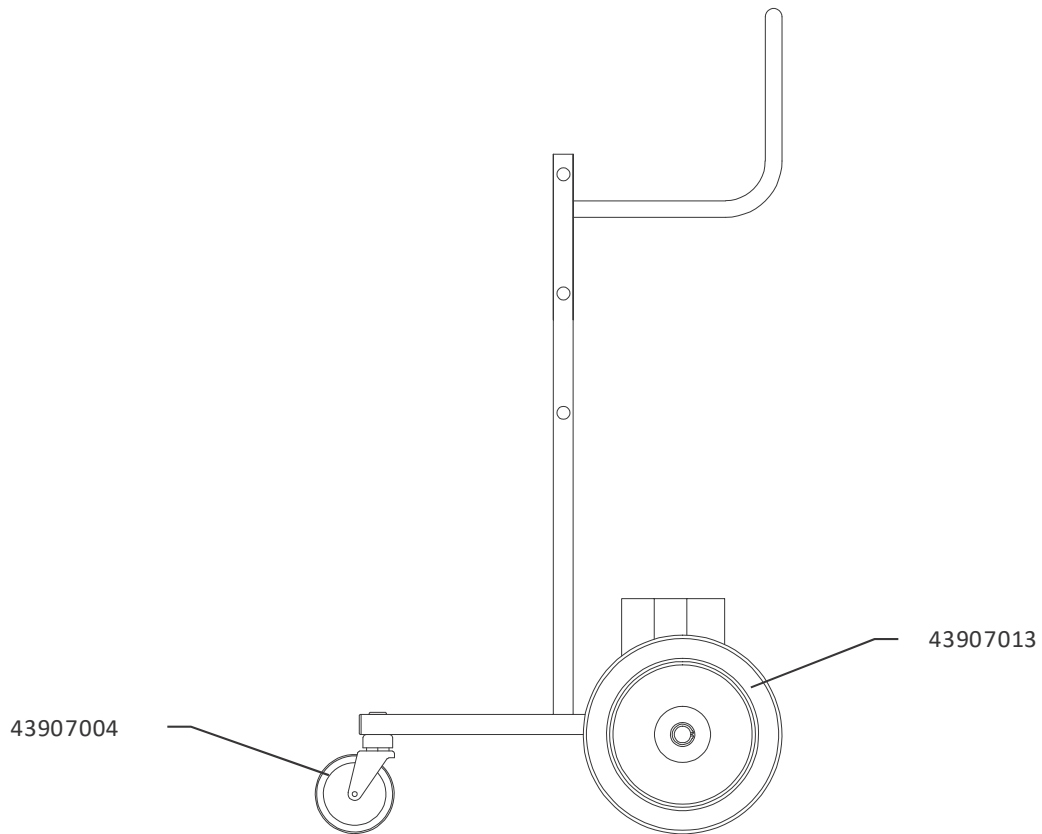
---



---

**43424001**

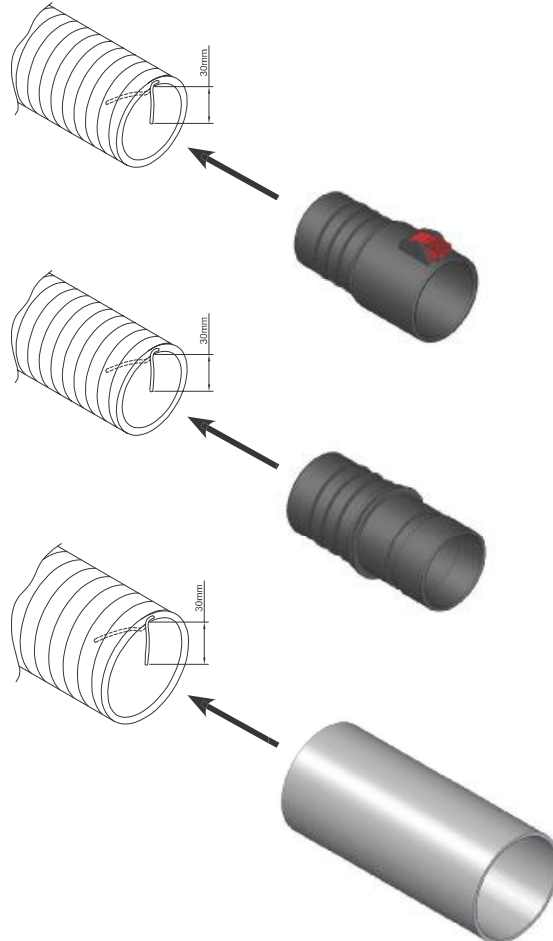
---



---

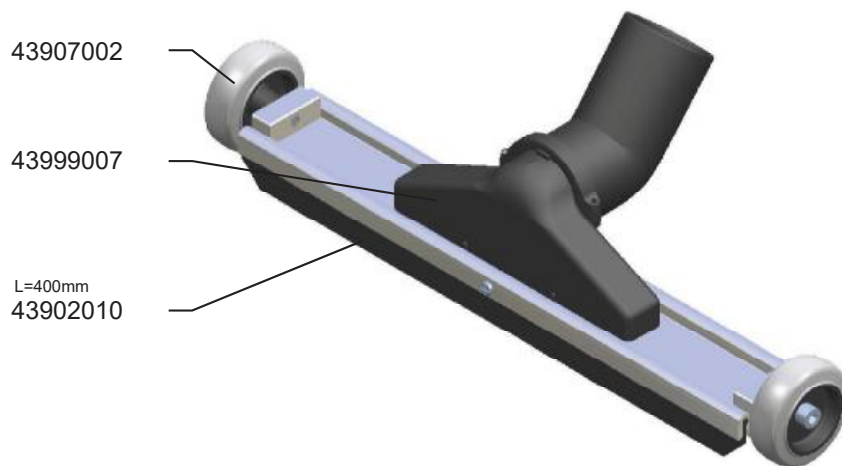
**43723001**

---



Material	C°/F°
PE	-40°C - +60°C -40°F - +140°F

**43812100**



---

**43840250**

---





***Nederman***

[www.nederman.com](http://www.nederman.com)